

IM 04L51B01-91EN

■ About This Manual

- Please pass this manual to the end user. We also ask you to store this manual in a safe place.
- This guide is intended for the following personnel;
 - Engineers responsible for installation, wiring, and maintenance of the equipment.
 - Personnel responsible for normal daily operation of the equipment.
- Read this manual thoroughly and have a clear understanding of the product before operation.
- This manual explains the functions of the product. It does not guarantee that the product will suit a particular purpose of the user.
- To ensure correct use, please read this manual and the following (see last page) manuals thoroughly before beginning operation. For specifications, refer to General Specifications.
- Every effort has been made in the preparation of this manual to ensure the accuracy of its contents. However, should you have any questions or find any errors, please contact your nearest YOKOGAWA dealer.
- Copying or reproducing all or any part of the contents of this manual without YOKOGAWA's permission is strictly prohibited.
- This manual is part of this product. Keep this manual on safe place for future reference.

■ Safety Precautions

- GX/GP/GM system conforms to IEC safety class I (provided with terminal for protective grounding) Overvoltage Category II or I, Pollution Degree 2, and Measurement Category II (CAT II)*.
- * Measurement Category II (CAT II) is for the GX90XA analog input module and the GX90UT PID control module.
- GX/GP/GM system are an EN 61326-1 (EMC standard) class A instrument (for use in commercial, industrial, or business environments). The influence rate (judgment condition A) in the immunity test environment is within $\pm 10\%$ of the range.
- The general safety precautions described here must be observed during all phases of operation. If the SMARTDAC+ is used in a manner not described in this manual, the SMARTDAC+ safety features may be impaired. Yokogawa Electric Corporation assumes no liability for the customer's failure to comply with these requirements.
- The SMARTDAC+ is designed for indoor use.
- Installation Location

Allowable power supply voltage range:

GX/GP	90 to 264 VAC (rated supply voltage: 100 to 240 VAC)
	21.6 to 26.4 VDC/AC (rated supply voltage: 24 VDC/AC (/P1 option))
	10 to 20 VDC (rated supply voltage: 12 VDC (GP10 power supply suffix code "2"))
GX60	90 to 240 VAC (rated supply voltage: 100 to 240 VAC)
	90 to 264 VAC (rated supply voltage: 100 to 240 VAC)
GM90PS	90 to 264 VAC (rated supply voltage: 100 to 240 VAC)
	10 to 32 VDC (rated supply voltage: 12 to 28 VDC (supply voltage suffix code "2"))

Ambient temperature range ¹:

GX/GP/GX60	0 to 50°C
	-20 to 60°C
GM	-20 to 60°C
	-20 to 50°C in the following cases <ul style="list-style-type: none">• When a GX90WD is used• When a GX90XA-T1 (electromagnetic relay type) is used• When a GX90YA is used• When a GX90UT is used• On a GM10 with the /C8 option

Ambient humidity ¹:

GX/GP/GX60	20 to 80%RH (However, less than moisture content of 40°C 80%RH at 40°C or more)
	20 to 85%RH
GM	No condensation

Altitude: 2000 m or less

- 1 GX90 series module depend on the specification of the GX/GP/GM that module is mounted. For details, refer to each general specifications.

- Safety and EMC Standards

CSA:	CSA C22.2 No. 61010-1, CSA-C22.2 No. 61010-2-030, CAN/CSA-C22.2 No.61010-2-201 ⁴ , Overvoltage Category II or I ¹ , Pollution Degree 2 ² , Measurement Category II ³
UL:	UL 61010-1, UL Std. No. 61010-2-030, UL 61010-2-201 ⁴ (CSA NRTL/C), Overvoltage Category II or I ¹ , Pollution Degree 2 ² , Measurement Category II ³
CE, UKCA:	
EMC directive	EN 61326-1 Class A Table 2 (For use in industrial locations) compliant EN 61000-3-2 compliant EN IEC 61000-3-2 compliant EN 61000-3-3 compliant EN 55011 Class A Group 1 compliant
Low voltage directive	EN 61010-1, EN IEC 61010-2-030, EN IEC 61010-2-201 ⁴ compliant Overvoltage Category II or I ¹ , Pollution Degree 2 ² , Measurement Category II ³
RE directive (GM10 with /C8 option)	
SAFETY	EN 61010-1, EN IEC 61010-2-030, EN IEC 61010-2-201 ⁴ compliant, Overvoltage Category II or I ¹ , Pollution Degree 2 ² , Measurement Category II ³ EN 62311 compliant
EMC	EN 301 489-1 compliant EN 301 489-17 compliant EN 61326-1 Class A Table 2 (For use in industrial locations) compliant EN IEC 61000-3-2 compliant EN 61000-3-3 compliant
SPECTRUM	EN 300 328 compliant
EU RoHS directive	EN IEC 63000
WEEE Directive:	Compliant
EMC Regulatory Arrangement in Australia and New Zealand (RCM):	EN 55011 Class A Group 1 compliant EN 61326-1 Class A Table 2 (For use in industrial locations) compliant
Wireless Communication Standards of Australia and New Zealand (RCM) (GM10 with /C8 option):	AS/NZS 4268, AS/NZS 2772.2 compliant
KC Marking:	KS C9811, KS C9610-6-2 compliant
KC Marking Wireless (GM10 with /C8 option):	KS X 3124/3129 compliant

Note Compliant standards depend on the specification of the GX/GP, GM, Options, and Modules. For details, refer to each general specifications.

1 Overvoltage Category:

Describes a number which defines a transient overvoltage condition. Implies the regulation for impulse withstand voltage.
"II" applies to electrical equipment which is supplied from the fixed installation like a distribution board.

II: Applied to standard power supply (100 to 240 VAC)

I: Applied to low voltage power supply option (24 VDC/AC, 12 VDC, 12 to 24 VDC)

2 Pollution Degree 2:

Describes the degree to which a solid, liquid, or gas which deteriorates dielectric strength or surface resistivity is adhering.
"2" applies to normal indoor atmosphere. Normally, only non-conductive pollution occurs.

3 Measurement Category:

II: Applies to measuring circuits connected to low voltage installation, and electrical instruments supplied with power from fixed equipment such as electric switchboards.

4 When Using the GX90UT PID control module.

■ Precautions Related to the Protection, Safety, and Alteration of the Product

- Improper handling or use can lead to injury to the user or damage to the instrument. This symbol appears on the instrument to indicate that the user must refer to the user's manual for special instructions. The same symbol appears in the corresponding place in the user's manual to identify those instructions. In the manual, the symbol is used in conjunction with the word "WARNING" or "CAUTION."



"Handle with care." To avoid injury and damage to the instrument, the operator must refer to the explanation in the manual.



Protective ground terminal



Functional ground terminal (do not use this terminal as a protective ground terminal.)



Alternating current



Direct current



ON (power)



OFF (power)

- For the protection and safe use of the product and the system in which this product is incorporated, be sure to follow the instructions and precautions on safety that are stated in this manual whenever you handle the product. Take special note that if you handle the product in a manner that violates these instructions, the protection functionality of the product may be damaged or impaired. In such cases, YOKOGAWA does not guarantee the quality, performance, function, and safety of product.
- When installing protection and/or safety circuits such as lightning protection devices and equipment for the product and control system or designing or installing separate protection and/or safety circuits for fool-proof design and fail-safe design of the processes and lines that use the product and the control system, the user should implement these using additional devices and equipment.
- If you are replacing parts or consumable items of the product, make sure to use parts specified by YOKOGAWA.
- This product is not designed or manufactured to be used in critical applications that directly affect or threaten human lives. Such applications include nuclear power equipment, devices using radioactivity, railway facilities, aviation equipment, air navigation facilities, aviation facilities, and medical equipment. If so used, it is the user's responsibility to include in the system additional equipment and devices that ensure personnel safety.
- Do not modify this product.
- Use care when cleaning this instrument, especially its plastic parts. Use a soft dry cloth. Do not use organic solvents, such as benzene or thinner, or other cleansers. They may cause discoloring and deformation.



WARNING

- Use the Correct Power Supply**
Ensure that the source voltage matches the voltage of the power supply before turning ON the power. In the case of inlet type and GX60 (power inlet type), ensure that it is within the maximum rated voltage range of the provided power cord before connecting the power cord.
- Use the Correct Power Cord and Plug (Power inlet type)**
To prevent electric shock or fire, be sure to use the power cord supplied by YOKOGAWA. The main power plug must be plugged into an outlet with a protective earth terminal. Do not disable this protection by using an extension cord without protective earth grounding.
The power cord is designed for use with this instrument. Do not use the power cord with other instruments.
- Connect the Protective Grounding Terminal**
Make sure to connect the protective grounding to prevent electric shock before turning ON the power.
The power cord that comes with the power inlet type are three prong type power cord. Connect the power cord to a properly grounded three-prong outlet.
- Do Not Impair the Protective Grounding**
Never cut off the internal or external protective grounding wire or disconnect the wiring of the protective grounding terminal. Doing so invalidates the protective functions of the instrument and poses a potential shock hazard.
- Do Not Operate with Defective Protective Grounding**
Do not operate the instrument if the protective grounding might be defective. Also, make sure to check them before operation.
- Do Not Operate in an Explosive Atmosphere**
Do not operate the instrument in the presence of flammable gas, vapors, or combustible dust. Operation in such an environment constitutes a safety hazard.
Prolonged use in a highly dense corrosive gas (H₂S, SO_x, etc.) will cause a malfunction.
- Do Not Remove Covers**
The cover should be removed by YOKOGAWA's qualified personnel only. Opening the cover is dangerous, because some areas inside the instrument have high voltages.
- Ground the Instrument before Making External Connections**
Connect the protective grounding before connecting to the item under measurement or control unit.
- Damage to the Protection**
Operating the instrument in a manner not described in this manual may damage the instrument's protection.
- Installation and Wiring**
Install and wiring the GX/GP/GM system indoors in an environment that meets the following conditions:
 - This product is designed as open equipment under the CSA/UL/EN/IEC 61010-2-201 standards when using GX90UT PID control module. In order to comply with these standards, install it as follows:
 - The GX10/GX20 is designed to be installed in an instrumentation panel. Install it in a location where people cannot touch the terminals carelessly.
 - To make the GP10/GP20 comply with the relevant standard, support the parts of the device other than the front-panel control area with an instrumentation panel or the like, and install it in a location where people cannot touch the terminals carelessly or in a panel.

- Install the GX60/GM unit in a panel with a door.
- The instrumentation panel or panel used for support must comply with CSA/UL/EN IEC 61010-2-201 or must be at least IP1X (degrees of protection) and at least IK09.
- To prevent electric shock while wiring, make sure that the power supply is turned off.
- To prevent electric shock, attach the included terminal cover after wiring.
- Make sure to use appropriate wires and crimp-on lugs.
- To prevent electric shock, do not apply voltages that exceed the ratings to the input or output terminals.
- If hazardous external voltage (30V AC or 60V DC or more) is applied to the I/O terminals, provide adequate protection to prevent users or service engineers from inadvertently touching the terminals or tools or the like from coming in contact with the terminals.
- Make sure to use appropriate wires, crimp-on lugs, and torque. To prevent electric shock due to damage, prevent strong tension from being applied to the cords.
- Do not allow conductive wiring scraps, chips, or the like to enter inside the product. It cause electric shock, fire, failure, or malfunction.
- On the GX90XA-10-V1, the insulation specification is 1000 VDC basic insulation when the common mode voltage exceeds 600 V. When using the system in a common mode voltage environment that exceeds 600 V, install it as follows:
 - The GX/GP/GM system and all devices without insulation equivalent to 1000 V supplementary insulation connected to the GX/GP/GM system must be installed in a panel with a door.
 - The GX/GP front-panel control area is also applicable. Install so that it cannot be touched from outside the panel.
 - To prevent electric shock, do not allow cables other than protective ground and main power supply to be directly connected to the outside of the panel.
 - For other connections, connect to the outside of the panel after adding insulation equivalent to 1000 V supplementary insulation to prevent electric shock.
 - To prevent fire, insert overcurrent protection devices such as fuses between the measurement target and the H and L input terminals of the high voltage input module. For the overcurrent protection device, select a device that supports the common mode voltage to be used. Replacing it regularly is recommended to accommodate degradation due to aging.
 - Do not access the inside of the panel when the measurement target is turned on.
 - The panel used for support must comply with CSA/UL/EN/IEC 61010-2-201 or must be at least IP1X (degrees of protection) and at least IK09.
- To prevent fire, use 600 V PVC insulated wires (AWG20 to AWG16; JISC3307) or wires or cables with equivalent or better performance.
- Use crimp-on lugs (designed for 4 mm screws) with insulation sleeves to connect both the power cord and the protective ground.
- To prevent electric shock, be sure to close the transparent cover for the power supply wires.
- For safety, provide a double-pole switch in an easily operable location near the GX/GP/GM system to disconnect the GX/GP/GM system from the main power supply. Put an indication on this switch as the breaker on the power supply line for the GX/GP/GM system and indications of ON and OFF.
 - Switch Specifications
 - Steady-state current rating 1 A or higher (100 to 240 VAC), 3 A or higher (24 VDC/AC, 12 VDC, 12 to 24 VDC)
 - Inrush current rating 60 A or higher (100 to 240 VAC), 70 A or higher (24 VDC/AC, 12 VDC, 12 to 24 VDC)
 - Must comply with IEC60947-1 and IEC60947-3.
- For signal cables through which a voltage of 30V AC or 60V DC or more is applied to the input terminals, use double-insulated cables that have sufficient withstand voltage performance for the measurement target and that are suitable for the rating. To prevent electric shock, attach the terminal cover after wiring and make sure not to touch the terminals.
- If a voltage of more than 30 VAC or 60 VDC is to be applied to the output terminals, use ring-tongue crimp-on lugs with insulation sleeves on all terminals to prevent the signal cables from slipping out when the screws become loose. Furthermore, use double-insulated cables (dielectric strength of 3000 VAC or more) for signal cables through which a voltage of 30 VAC or 60 VDC or more is to be applied to the output terminals. For all other signal cables, use basic insulated cables (dielectric strength of 1500 VAC). To prevent electric shock, attach the terminal cover after wiring and make sure not to touch the terminals.
- If hazardous external voltage (30V AC or 60V DC or more) is applied to the output terminals of the GP10/GP20/GX60/GM unit, be sure to install it in a location where people cannot touch the terminals carelessly or in a panel.
- When the output terminals of the GX90WD are connected to a voltage exceeding 150 VAC, the connection is limited to a circuit (secondary power source) derived from the mains circuit (primary power source) of up to 300 V AC. Since the insulation specification between output channels is basic insulation, connect so that the potential difference between adjacent channels does not exceed 30 VAC or 60 VDC. If the potential difference from adjacent channel exceeds 30 VAC or 60 VDC, insert an unconnected channel between the two channels.
- To prevent fire, use signal cables for GX/GP system with a temperature rating of 70°C or more, for GM systems with a temperature rating of 80°C or more.
- Be sure to check the manual before installation and wiring.
(From manual at URL: www.smartdacplus.com/manual/en/)

CAUTION

This instrument is a Class A product. Operation of this instrument in a residential area may cause radio interference, in which case the user is required to take appropriate measures to correct the interference.

■ Exemption from Responsibility

- YOKOGAWA makes no warranties regarding the product except those stated in the WARRANTY that is provided separately.
- YOKOGAWA assumes no liability to any party for any loss or damage, direct or indirect, caused by the user or any unpredictable defect of the product.

■ Protection of Environment

● Control of Pollution Caused by the Product

This is an explanation for the product based on "Control of pollution caused by Electronic Information Products" in the People's Republic of China.

产品中有毒有害物质或元素的名称及含量

部件名称	有毒有害物质或元素					
	铅 (Pb)	汞 (Hg)	镉 (Cd)	六价铬 (Cr6+)	多溴联苯 (PBB)	多溴二苯醚 (PBDB)
印刷电路	N/A	N/A	N/A	✓	✓	✓
内部接线材料	N/A	N/A	N/A	✓	✓	✓
外壳 / 机箱	塑料	N/A	N/A	✓	✓	✓
	金属	N/A	N/A	✓	✓	✓
I/O 模块外壳	塑料	N/A	N/A	✓	✓	✓
电源	N/A	N/A	N/A	✓	✓	✓
正面边框	N/A	N/A	N/A	✓	✓	✓
标准附件 / 可选附件	显示器 (LCD)	N/A	N/A	✓	✓	✓
	安装支架	N/A	N/A	✓	✓	✓
	电源线 (GP10/GP20/GX60/GM90PS (power inlet type))	N/A	N/A	✓	✓	✓
	SD 存储卡	N/A	N/A	✓	✓	✓
	分流电阻	N/A	N/A	✓	✓	✓

✓：表示该部件的所有均质材料中的有毒有害物质或元素的含量均低于 GB/T26572 标准所规定的限量要求。

N/A：表示该部件中至少有一种均质材料中的有毒有害物质或元素的含量超过 GB/T26572 标准所规定的限量要求。

本产品的部分部件包含 RoHS 指令中的限用物质，但是其使用方法不受该指令限制。

Some parts of this product include the restricted substances of RoHS Directive, but their applications are under the exemption of the directive.



✓环境保护使用期限

该标志为环境保护使用期限，根据SJ/T11364，适用于在中国(台湾、香港、澳门除外)销售的电子电气产品。只要遵守该产品的安全及使用注意事项，从产品生产之日起至该标志所示年限内，不会因为产品中的有害物质外泄或突变而导致环境污染或对人身财产产生重大影响。
注释)该标志所示年限为“环境保护使用期限”，并非产品的保质期。另外，关于更换部件的推荐更换周期，请参阅使用说明书。

● Waste Electrical and Electronic Equipment (WEEE), Directive



This is an explanation of how to dispose of this product based on Waste Electrical and Electronic Equipment (WEEE), Directive and Regulation. Only valid in the EEA for EU WEEE Directive and in the UK for UK WEEE Regulation. This directive is only valid in the EU.

● Marking

This product complies with the WEEE Directive marking requirement. This marking indicates that you must not discard this electrical/electronic product in domestic household waste.

When disposing of products in the EEA or UK, contact your local Yokogawa office in the EEA or UK respectively.

● How to Dispose the Batteries



This is an explanation about the EU Battery Directive/Regulation and UK Battery Regulation.

Only valid in the EEA for EU Battery Directive/Regulation and in the UK for UK Battery Regulation. Batteries are included in this product. Batteries incorporated into this product cannot be removed by yourself. Dispose them together with this product. When you dispose this product in the EEA or UK, contact your local Yokogawa office in the EEA or UK respectively. Do not dispose them as domestic household waste.

Battery type: Lithium battery

Notice: The symbol (see above) means they shall be sorted out and collected as ordained in the EU Battery Directive/Regulation and UK Battery Regulation.

QR code

The product may have a QR Code pasted for efficient plant maintenance work and asset information management. It enables confirming the specifications of purchased products and user's manuals. For more details, please refer to the following URL.

<https://www.yokogawa.com/qr-code>

QR Code is a registered trademark of DENSO WAVE INCORPORATED.

Authorised Representative in the EEA and the Importer into the EU/EEA Market

The Authorised Representative for this product in the EEA and the importer for this product into the EU/EEA market via Yokogawa sale channel is:

Yokogawa Europe B.V.
Euroweg 2, 3825 HD Amersfoort, The Netherlands

Importer for This Product into the Great Britain Market

In relation to UKCA marking, the importer for this product into the Great Britain market via the YOKOGAWA sales channel is :
Yokogawa United Kingdom Limited

Stuart Road Manor Park Runcorn, WA7 1TR, United Kingdom

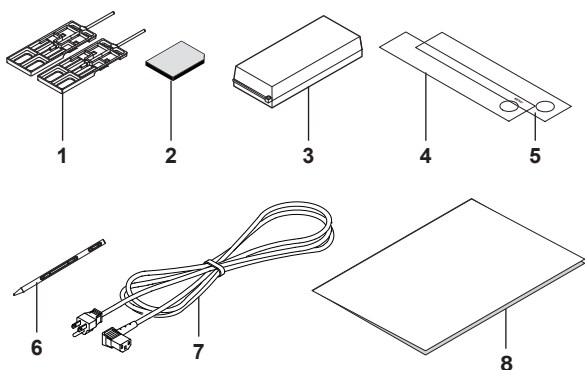
Product Identification

Check that the product that you received is what you ordered by referring to the model name and suffix code given on the name plate on the product.

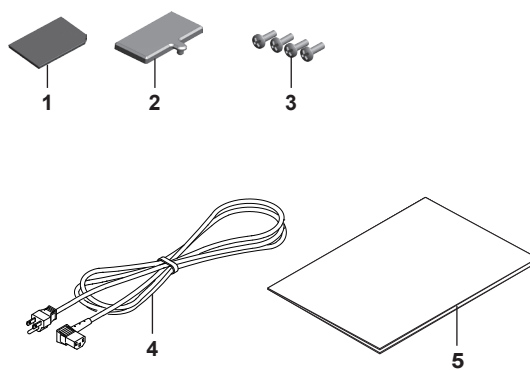
Standard Accessories

The instrument is shipped with the following accessories. Make sure that all accessories are present and undamaged.

GX/GP



GM10/GM90PS/GM90MB



No.	Name	Part Number/Model	Qty.	Notes
1	Mounting bracket	B8740DY	2	GX10/GX20 only
2	SD memory card	773001	1	1 GB
3	Dummy cover	B8740CZ	-	For empty slots
4	Tag plate	B8740FE	1	GX20
		B8740ME	1	GP20
		B8741FE	1	GX10
		B8741ME	1	GP10
5	Sheet	B8740FF	1	GX20
		B8740MF	1	GP20
		B8741FF	1	GX10
		B8741MF	1	GP10
6	Stylus	B8740BZ	1	
7	Power cord ¹	A1006WD	1	D: Power cord UL, CSA st'd
		A1009WD	1	F: Power cord VDE st'd
		A1024WD	1	R: Power cord AS st'd
		A1054WD	1	Q: Power cord BS st'd
		A1064WD	1	H: Power cord GB st'd
		A1088WD	1	N: Power cord NBR st'd
8	Manual	IM 04L51B01-91EN	1	This manual

¹ GP10/GP20 only. Except GP10 power supply suffix code "2".

No.	Name	Part Number/Model	Qty.	Notes
1	SD card	773001	1	1 GB (included with the GM10)
2	Connector cover	B8740GN	1	Included with the GM90PS
3	Screws ¹	Y9310LB	4	M3 screws for linking modules (included)
4	Power cord ²	A1006WD	1	D: Power cord UL, CSA st'd
		A1009WD	1	F: Power cord VDE st'd
		A1024WD	1	R: Power cord AS st'd
		A1054WD	1	Q: Power cord BS st'd
		A1064WD	1	H: Power cord GB st'd
		A1088WD	1	N: Power cord NBR st'd
5	Manual	IM 04L51B01-91EN	1	This manual

¹ Four screws included with GM90PS or GM90MB.

² When the suffix code of the power supply connection is not "W".
Included with the GM90PS.

GX60

No.	Name	Part Number/Model	Qty.	Notes
1	Power cord ¹	A1006WD	1	D: Power cord UL, CSA st'd
		A1009WD	1	F: Power cord VDE st'd
		A1024WD	1	R: Power cord AS st'd
		A1054WD	1	Q: Power cord BS st'd
		A1064WD	1	H: Power cord GB st'd
		A1088WD	1	N: Power cord NBR st'd
2	Stopper	A9088ZM	2	Antiskid rubber
3	Manual	IM 04L51B01-91EN	1	This manual

¹ When the suffix code of the power cord is not "W".

GX90 series module

No.	Name	Part Number/Model	Qty.	Notes
1	Manual	IM 04L51B01-91EN	1	This manual

Downloadable Electronic Manuals

You can download the latest manuals from the following website.
www.smartdacplus.com/manual/en/

Manual Title	Manual No.
Model GX10/GX20/GP10/GP20 Paperless Recorder First Step Guide	IM 04L51B01-02EN (Note)
Model GX10/GX20/GP10/GP20 Paperless Recorder User's Manual	IM 04L51B01-01EN
Model GX20W Paperless Recorder Wireless Model User's Manual	IM 04L51B11-01EN (Note)
Data Acquisition System GM First Step Guide	IM 04L55B01-02EN (Note)
Data Acquisition System GM User's Manual	IM 04L55B01-01EN
Model GX10/GX20/GP10/GP20/GM10 Multi-batch Function User's Manual	IM 04L51B01-03EN
Model GX10/GX20/GP10/GP20 Advanced Security Function (/AS) User's Manual	IM 04L51B01-05EN
Data Acquisition System GM Advanced Security Function (/AS) User's Manual	IM 04L55B01-05EN
Model GX10/GX20/GP10/GP20/GM10 Log Scale (/LG) User's Manual	IM 04L51B01-06EN
Model GX10/GX20/GP10/GP20/GM10 Communication Command User's Manual	IM 04L51B01-17EN
Model GX10/GX20/GP10/GP20/GM10 EtherNet/IP Communication (/E1) User's Manual	IM 04L51B01-18EN
Model GX10/GX20/GP10/GP20/GM10 WT Communication (/E2) User's Manual	IM 04L51B01-19EN
Model GX10/GX20/GP10/GP20/GM10 OPC-UA Server (/E3) User's Manual	IM 04L51B01-20EN
Model GX10/GX20/GP10/GP20/GM10 SLMP Communication (/E4) User's Manual	IM 04L51B01-21EN
Model GX10/GX20/GP10/GP20/GM10/GX90NW PROFINET Communication User's Manual	IM 04L51B01-22EN
Model GX10/GX20/GP10/GP20/GM10 Loop Control Function, Program Control Function (/PG) User's Manual	IM 04L51B01-31EN
SMARTDAC+ STANDARD Universal Viewer User's Manual	IM 04L61B01-01EN
SMARTDAC+ STANDARD Hardware Configurator User's Manual	IM 04L61B01-02EN
SMARTDAC+ STANDARD IP Address Configurator	IM 04L61B01-03EN
Precaution on the use of SMARTDAC+	IM 04L51B01-91EN
DXA170 DAQStudio	IM 04L41B01-62EN

Note: Be sure to check before installation and wiring.

General Specifications

For specifications, refer to General Specifications.

General Specifications Title	General Specifications No.
GX10/GX20 Paperless Recorder (Panel mount type) General Specifications	GS 04L51B01-01EN
GX20W Paperless Recorder Wireless Model General Specifications	GS 04L51B11-01EN
GP10/GP20 Paperless Recorder (Portable type) General Specifications	GS 04L52B01-01EN
GX60 I/O Base Unit (Expandable I/O), GX90EX Expansion Module General Specifications	GS 04L53B00-01EN
GX90XA/GX90XD/GX90YD/GX90WD/GX90XP I/O Modules General Specifications	GS 04L53B01-01EN
GX90UT PID Control Module General Specifications	GS 04L53B01-31EN
GX90NW Network Module General Specifications	GS 04L53B51-01EN
Data Acquisition System GM General Specifications	GS 04L55B01-01EN

* The last two characters of the manual number and general specification number indicate the language in which the manual is written.

YOKOGAWA **YOKOGAWA ELECTRIC CORPORATION**

Headquarters

2-9-32, Naka-cho Musashino-shi, Tokyo 180-8750 JAPAN

YOKOGAWA CORPORATION OF AMERICA

Head office

12530 West Airport Blvd, Sugar Land, Texas 77478, USA

Georgia office

2 Dart Road, Newnan, Georgia 30265, USA

YOKOGAWA EUROPE SOLUTIONS B.V.

Headquarters

Euroweg 2, 3825 HD Amersfoort, THE NETHERLANDS

<http://www.yokogawa.com/>